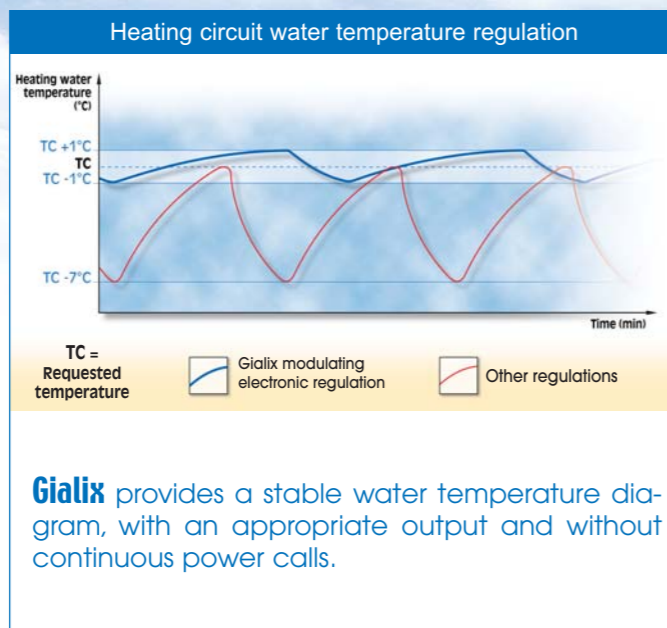


Gialix electric boiler is the most simple and flexible heating solution for new installation or refurbishment

- Heating backflow
- Central heating temperature sensor
- Carbonated cast iron heat exchanger
- Inside the cast iron heat exchanger 316L stainless steel immersed elements fully resistant to corrosion
- Water pressure sensor
- 3 bar relief valve
- Bleeder exhaust

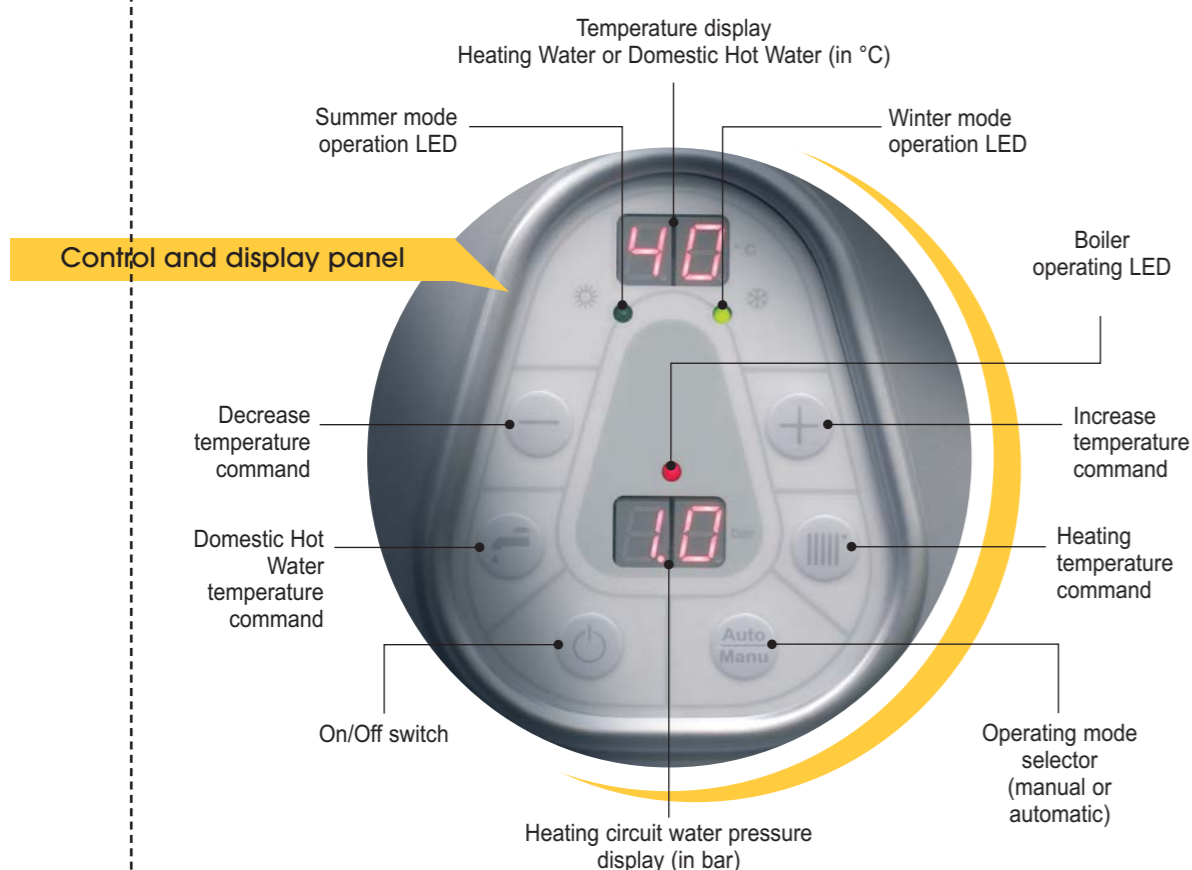
MODULATING AND SILENT

Gialix is an electric boiler designed for use with a built-in modulating electronic regulation. Comfort is improved, as power calls are suppressed: less noise, no more heating short-cycles, but also a lower operating cost and less wear and tear for components..



Gialix provides a stable water temperature diagram, with an appropriate output and without continuous power calls.

Carefully selected components and clever design make Gialix a fully reliable and silent boiler.



Gialix TECHNICAL DATA

Gialix boiler range with modulating electronic regulation

	Output range ⁽¹⁾	Power supply	Dimensions W x H x D	Weight kg	Power steps	Regulation	Hydraulic components	Reference
Gialix 12 MA	4 to 12 kW	230 V mono	405 x 620 x 280	38	4	Electronic modulation for a stable temperature heating circuit and Domestic Hot Water supply (optional Domestic Hot Water sensor)	8 litre expansion vessel 3 speed water pump safety relief valve manometer electronic water sensor	7201-2 AA
Gialix 18 MA	9 to 18 kW	400 V tri	405 x 620 x 280	38	6			7201-8 AA
Gialix 12 MA Comfort +	4 to 12 kW	230 V mono	405 x 620 x 280	38	4			7301-2 AA
Gialix 12 MA Comfort +	4 to 12 kW	400 V tri	405 x 620 x 280	38	4	Electronic modulation of central heating according to outside temperature and Domestic Hot Water supply (Supplied with outside temperature & Domestic Water sensors)	8 litre expansion vessel 3 speed water pump safety relief valve manometer electronic water sensor	7301-2 TR
Gialix 18 MA Comfort +	9 to 18 kW	400 V tri	405 x 620 x 280	38	6			7301-8 AA

Heat Exchanger Storage Tanks

Description	Reference
Wall hung 100 L, enameled	7400-1 AA
Wall hung 150 L, enameled	7400-2 AA
Wall hung 200 L, enameled	7400-3 AA
Stainless steel 130 L, floor or wall hung, horizontal or vertical	7401-1 AA
Stainless steel 210 L, floor or wall hung, horizontal or vertical	7401-2 AA

	Output range ⁽¹⁾	Dimensions W x H x D	Weight kg	Power steps	Power supply	Regulation	Hydraulic components	Reference
Gialix 6 C	4 to 6 kW	405 x 620 x 280	38	1	230 V mono	Electromechanic with water temperature sensor for heating circuit	8 litre expansion vessel 3 speed water pump safety relief valve manometer	7100-6 AA
Gialix 12 C	4 to 12 kW	405 x 620 x 280	38	2	230 V mono			7101-2 AA
Gialix 18 C	9 to 18 kW	405 x 620 x 280	38	3	400 V tri			7101-8 AA

Accessories

Description	Reference
TA Room thermostat	7800-1 AA
TH Room thermostat (with week programming system)	7800-2 AA
DHW sensor Domestic Hot Water sensor for water tank	7800-3 AA

⁽¹⁾ Standard supply with maximum output Gialix boilers are supplied standard with :
 - a 110°C water safety controller (for use with radiators),
 - a 65°C water safety controller (for use with floor heating).

YOUR RETAILER

SIELINE A.E.
 ΗΛΙΑΚΑ - ΘΕΡΜΑΝΣΗ - ΨΥΞΗ

Συγγρού 2 & Παλαιολόγου • 152 32 Χαλάνδρι, Αθήνα
 2 Suggrou str. & Palaiologou • GR 152 32 Chalandri
 Tel.: +30 210 6830 351 - 352 • Fax: +30 210 68 39 848
 E-mail: info@sieline.gr • Web Site: www.sieline.gr

Gialix

Dimplex

4 TO 32 kW MODULATING WALL HUNG BOILER WITH GENUINELY SILENT ELECTRONIC MODULATING REGULATION

Heating & domestic hot water production

NEW



This electric boiler combines the best performing electronic regulation with the exceptional qualities of the carbonated cast-iron heat exchanger



The heat exchanger because of the very high thermal performance of the carbonated cast-iron, this heat exchanger supplies hot water at real stable temperature and is very compact.

This boiler is extremely silent because controlled by an electronic modulating regulation, a cost-saving source of comfort, which also limits power calls to a value below 3 kW.

No maintenance

This boiler is designed and engineered to integrate any type of new/existing central heating installation



Jun 2005 - RCS PARIS 8 334 835 550 - Applimo is constantly improving its products, hence may change specifications without prior notice. Datas and pictures of this document are not contractual.

Gialix

Wall hung electric boiler

With such a boiler just forget fuel storage tank, fuel or gas supply pipes. No need to worry about chimney or flue pipes.

THE CARBONATED CAST IRON HEAT EXCHANGER IS A GUARANTEE OF LONGEVITY AND PERFORMANCE

The unmilled carbonated cast-iron monobloc heat exchanger integrates and supports all hydraulic components.

- Carbonated cast-iron temperature inertia combined with the water capacity of the boiler makes smooth and steady operating.
- Each hydraulic component is easy to access directly from the front side of the boiler after opening the casing.
- With this integrated heat exchanger, length of tubing is reduced to the minimum. Thus, the risk of leakage is very low.

EASY AND COST-SAVING INSTALLATION

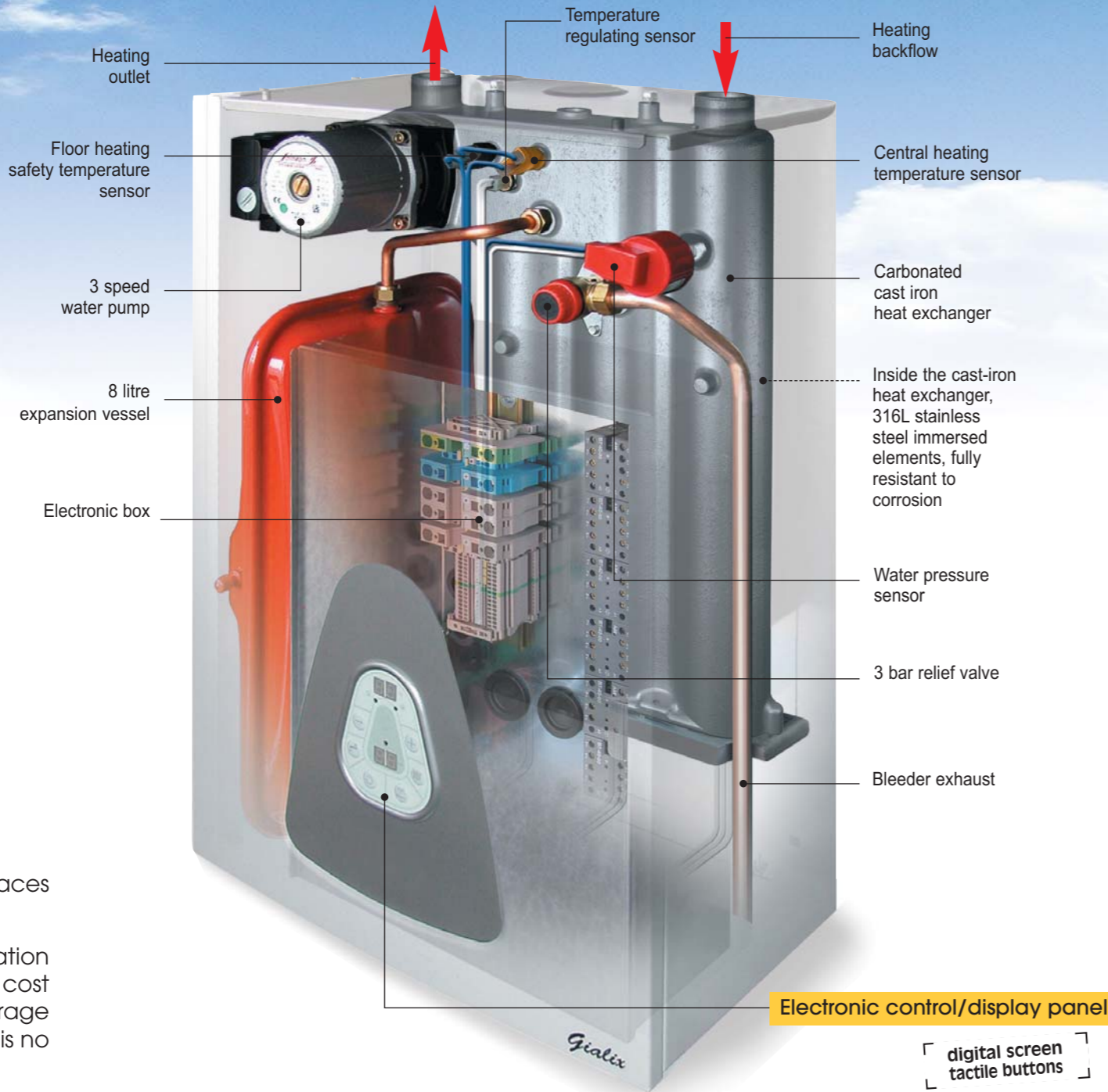
Combined with a new or old installation, this boiler replaces place of any previous appliance.

Just connect this boiler to your central heating installation and electric supply. Fitting is very quick, easy and low cost whatever is your installation (Radiators, hot water storage tank, ...) and, when connected to an heating floor, there is no more need for a mixing valve.

Compact and stylish, your boiler will fit any space or location according to your wish.

DOMESTIC HOT WATER

Combined with a heat exchanger storage tank, Gialix boiler will control your Domestic Hot Water supply for more comfort.



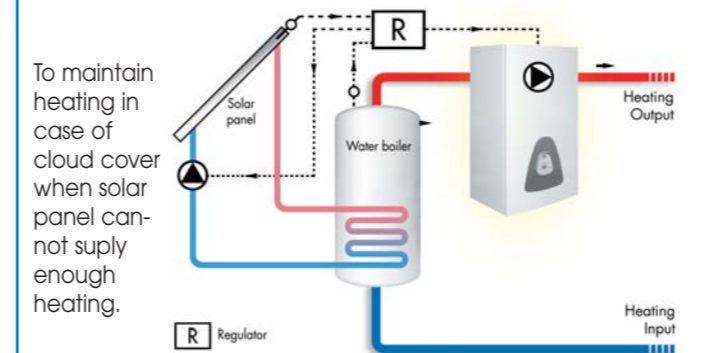
With reduced overall dimensions, Gialix boilers easily fit in any room and any available home space. With pure lines and high quality finish, your boiler will blend with your furniture.

Gialix electric boiler is the most simple and flexible heating solution for new installation or refurbishment

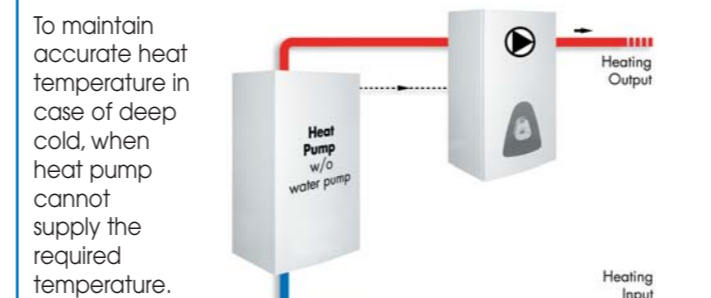
Some examples of use

Replacing or complementing any other heating system...
... Or complementing another heating system to avoid lack of energy supply

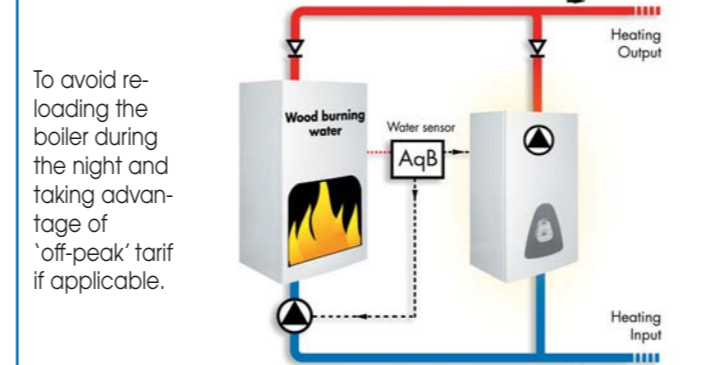
Complementing or replacing a solar system



Complementing or replacing a heat pump

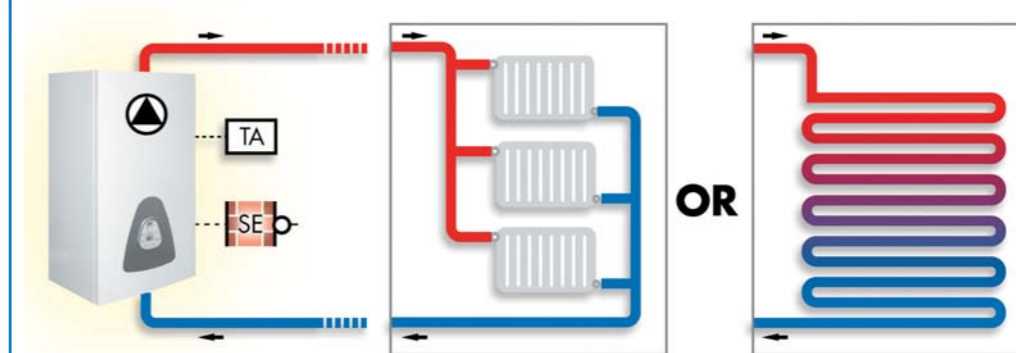


Complementing a wood burning boiler



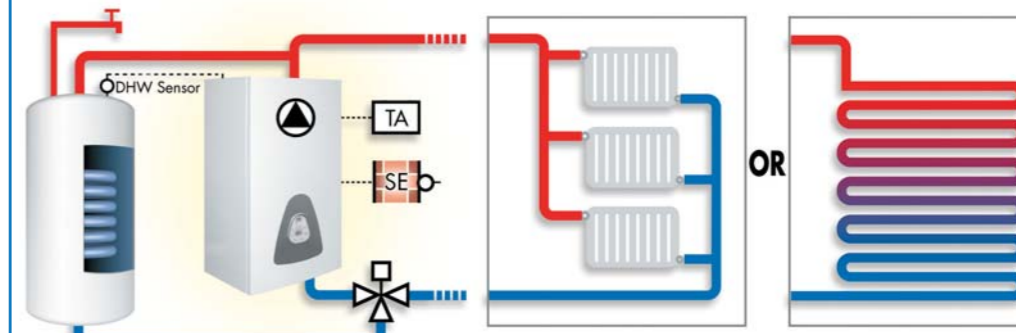
With a traditional central heating system, existing or new, especially replacing an old boiler, whatever the type of energy used before.

Heating only



Radiators or floor heating system : the mixing valve is not required

Heating and Domestic Hot Water



Radiators or floor heating system : the mixing valve is not required

Symbols

