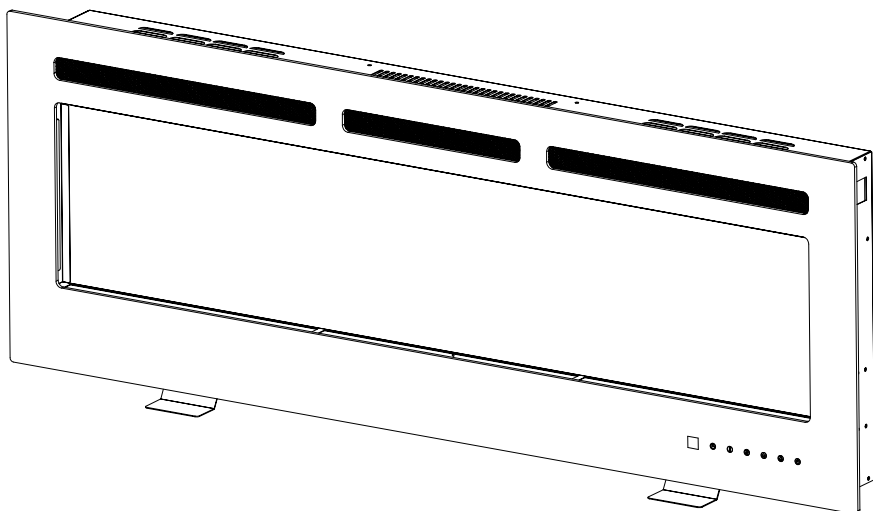


KAMINIO



MARLON

3-IN-1 ELEKTROKAMIN



ELEKTROKAMIN
ELECTRIC FIREPLACE
CAMINETTO ELETTRICO
FOYER ÉLECTRIQUE
CHIMENEA ELÉCTRICA

BEDIENUNGSANLEITUNG
INSTRUCTION MANUAL
ISTRUZIONI PER L'USO
INSTRUCTIONS D'UTILISATION
INSTRUCCIONES DE OPERACIÓN

DE | EN | IT | FR | ES



Download aktuelle Bedienungsanleitung
Download current instruction manual
Scarica le istruzioni per l'uso
Télécharger les Instructions d'utilisation
Descargar las Instrucciones de operación

DE	BEDIENUNGSANLEITUNG	04
EN	INSTRUCTION MANUAL	25
IT	ISTRUZIONI PER L'USO	46
FR	INSTRUCTIONS D'UTILISATION	67
ES	INSTRUCCIONES DE OPERACIÓN	88



Dieser Artikel wird idealerweise von 2 Personen montiert.

This item is ideally installed by 2 people.

Questo articolo è ideale per essere assemblato da 2 persone.

Cet article doit idéalement être monté par deux personnes.

Este artículo se monta idealmente por 2 personas.

SAFETY INSTRUCTIONS:

- Read all instructions before using this appliance.
- Use this electric fireplace only as described in this manual. Any other use may result in fire, electric shock, injury, or death.
- Use handles when moving the electric fireplace.
- This electric fireplace contains small parts that can be swallowed. Keep children away during assembly.
- This electric fireplace gets hot during operation. To avoid burns, DO NOT TOUCH hot surfaces.
- Combustible materials (e.g., furniture, cushions, bedding, paper, clothing, or curtains) must maintain the prescribed minimum distance from all sides of the electric fireplace. Ensure minimum clearances to combustible materials when building a mantel or shelves near the fireplace. Elevated temperatures on the wall or in the air around the fireplace may cause melting, discoloration, or damage to decorations, a television, or other electronic components.
- DO NOT insert foreign objects into ventilation or exhaust openings, as this may damage the electric fireplace, cause electric shock, or start a fire. DO NOT block air inlets or outlets in any way, as this may cause a fire.
- An electric fireplace produces arcing or sparking inside and gets HOT.
- DO NOT use it in areas where gasoline, paint, or flammable liquids are used or stored, or where combustible vapors are present.
- DO NOT use an electric fireplace on soft surfaces like a bed where openings may be blocked.
- AVOID FIRE HAZARD. It is essential to keep the control compartments, blower, and passage inside the fireplace clean. Regularly check all ventilation openings to ensure they are free from dust, fibers, or other blockages. Unplug the unit and clean it ONLY with a vacuum cleaner. DO NOT rinse or wet it.
- FOR INDOOR USE ONLY. ALWAYS store this electric fireplace in a dry place. NEVER use the fireplace where it can get wet. NEVER use this electric fireplace outdoors. Outdoor use may result in electric shock.
- DO NOT OPEN. Risk of electric shock. There are no user-serviceable parts inside.
- Do not install the fireplace against a vapor barrier or exposed insulation.
- NEVER use this electric fireplace in bathrooms, laundry rooms, or other locations where the electric fireplace may come into contact with water or high humidity.
- Ensure adequate safety measures are taken to prevent infants/toddlers from touching hot surfaces.

- Extreme caution is required when using an electric fireplace. NEVER leave the appliance unattended while the electric fireplace is in operation.
- DO NOT operate an electric fireplace if the cord is damaged, the electric fireplace is not functioning properly, has been dropped, or otherwise damaged. Dispose of the electric fireplace or have it checked by a certified professional.
- DO NOT place the cord in a walkway or where it can be overlooked.
- ONLY connect the device to a properly grounded outlet. ALWAYS plug the electric fireplace directly into a wall outlet. NEVER use an extension cord or a relocatable power tap (power strip). NEVER connect this electric fireplace to an old, cracked outlet or an outlet with loose wires or connections. Connecting this electric fireplace to a faulty outlet may cause the outlet to overheat or catch fire.
- Before initial use, check the plug connections. ENSURE the plug is securely inserted into the outlet. Faulty wall outlet connections or loose plugs can cause the outlet to overheat.
- NEVER hang this device directly under an electrical outlet on the wall.
- This product is not intended as a primary heat source. It serves solely as a supplemental heat source.
- NEVER modify this electric fireplace. Modifying the fireplace may result in injury or damage. Modifying this fireplace will void all warranties.
- ALWAYS turn off this electric fireplace before unplugging it.
- ALWAYS disconnect this device from the power supply before performing assembly, cleaning, or moving the electric fireplace.
- ALWAYS unplug this electric fireplace when not in use.
- Electric fireplaces consume more electricity than small electrical appliances. Overheating may occur, even if not experienced with other devices.
- Check during use if the outlet or cover is HOT. If the outlet or cover is HOT, discontinue use immediately and have a qualified electrician check and/or replace the faulty outlets.
- NOTE: This electric fireplace is designed for use in the EU and UK. Be sure to use power cords suitable for your region. Both power cords are included.
- This fireplace must not be modified under any circumstances.
- This product contains a glass panel. Always handle glass with care. Failure to heed this warning may result in personal injury or property damage.

TECHNICAL SPECIFICATIONS

MODEL-NO.: EF02-36 / EF02-42 / EF02-50 / EF02-55 / EF02-60 / EF02-70

Supply Voltage: AC 220–240 V 50 Hz

Maximum power consumption: 1800 watts

Power for flame effect: 6,48 watts / 7,56 watts / 8,64 watts / 10,8 watts / 12,96 watts / 17,28 watts

HEAT OUTPUT

Nominal heat output (P_{nom}): 1800 watts

Minimum heat output (indicative) (P_{min}): 900 watts

Maximum continuous heat output (P_{max}): 1800 watts

AUXILIARY ELECTRICITY CONSUMPTION

Standby mode (eISB): 0,56 watts

NOISE LEVEL

Flame effect: 10 dB

Heating system: 45 dB

TYPE OF HEAT OUTPUT / ROOM TEMPERATURE CONTROL		
Single stage heat output and no room temperature control		No
Two or more manual stages, no room temperature control		No
With mechanic thermostat room temperature control		No
With electronic room temperature control		Yes
Electronic room temperature control plus day timer		No
Electronic room temperature control plus week timer		No
OTHER CONTROL OPTIONS		
Room temperature control, with presence detection		No
Room temperature control, with open window detection		Yes
With distance control option		No
With adaptive start control		No
With working time limitation		No
With black bulb sensor		No
CONTROL BOARD	REMOTE CONTROL RECEIVER	REMOTE CONTROL TRANSMITTER
HARDWARE: ZD21008 SOFTWARE: 0495	HARDWARE: ZD21209	HARDWARE: JZY-108 SOFTWARE: ABCD



NOTE! The meaning of this figure is “DO NOT COVER”.

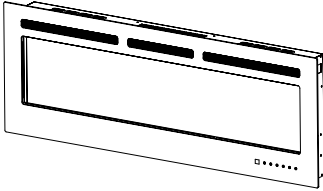
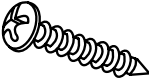


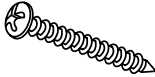


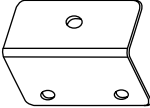

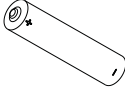
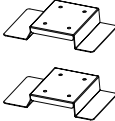
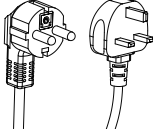

NOTE! When using paint or varnish to paint the mantelpiece, the paint or varnish must be heat-resistant to prevent discoloration.

NOTE! Manufacturer and seller expressly disclaim any liability for personal injury, property damage or loss, whether direct, indirect or accidental, resulting from the incorrect attachment, improper use, inadequate maintenance or neglect of this product.

NOTE! Any modification to the product or failure to observe the recommended care measures will invalidate the product warranty.

PARTS AND HARDWARE

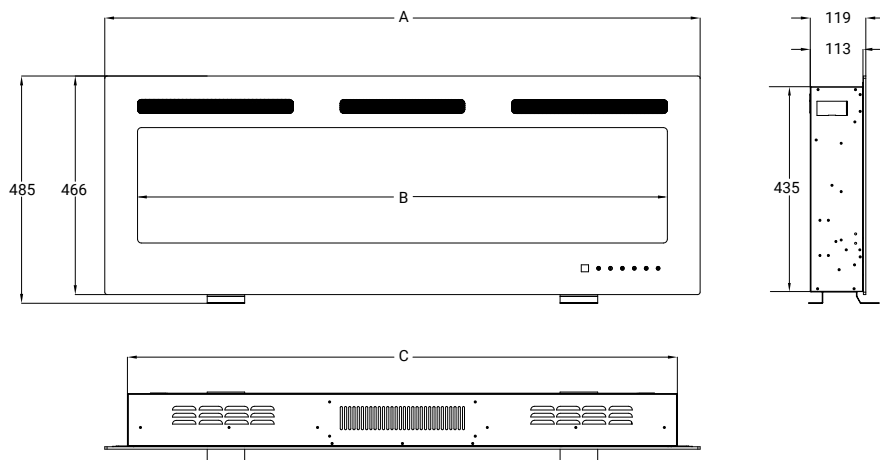
- Unpacking the fire carefully, make sure that the appliance is intact with no signs of damage caused by transport and no part has been exposed to water. If in doubt, do not use the appliance and contact an authorised service centre.
- Keep plastic wrapping away from children.
- Save the original packaging as this may be required in the event of service complaint with product.
- Check that all parts are removed from the packing.

 <p>1x</p>	 <p>5x</p>	 <p>7x</p>	 <p>8x</p>	
Fireplace unit	M4 x 12 mm Screw	M4 x 8 mm Screw	M4 x 12 mm Screws for fireplace stand foot	
 <p>7x</p>	 <p>7x</p>	 <p>7x</p>	 <p>1x</p>	
M4 x 35 mm Screw	Anchor	Drywall anchor	Securing element	
 <p>1x</p>	 <p>2x</p>	 <p>2x</p>		
Remote control	Battery	Fireplace stand foot	EU + UK Plug	Manual

NOTE! Tools required for installation (not included): Screwdriver, level, tape measure, pencil, electric drill, hammer.

APPLIANCE DIMENSIONS

UNIT: mm



MODEL	A	B	C
MARLON 36	914 mm	775 mm	817 mm
MARLON 42	1070 mm	930 mm	970 mm
MARLON 50	1270 mm	1130 mm	1173 mm
MARLON 55	1397 mm	1260 mm	1300 mm
MARLON 60	1524 mm	1385 mm	1427 mm
MARLON 70	1778 mm	1640 mm	1681 mm

INSTALLATION INSTRUCTIONS

1.1 LOCATING THE APPLIANCE

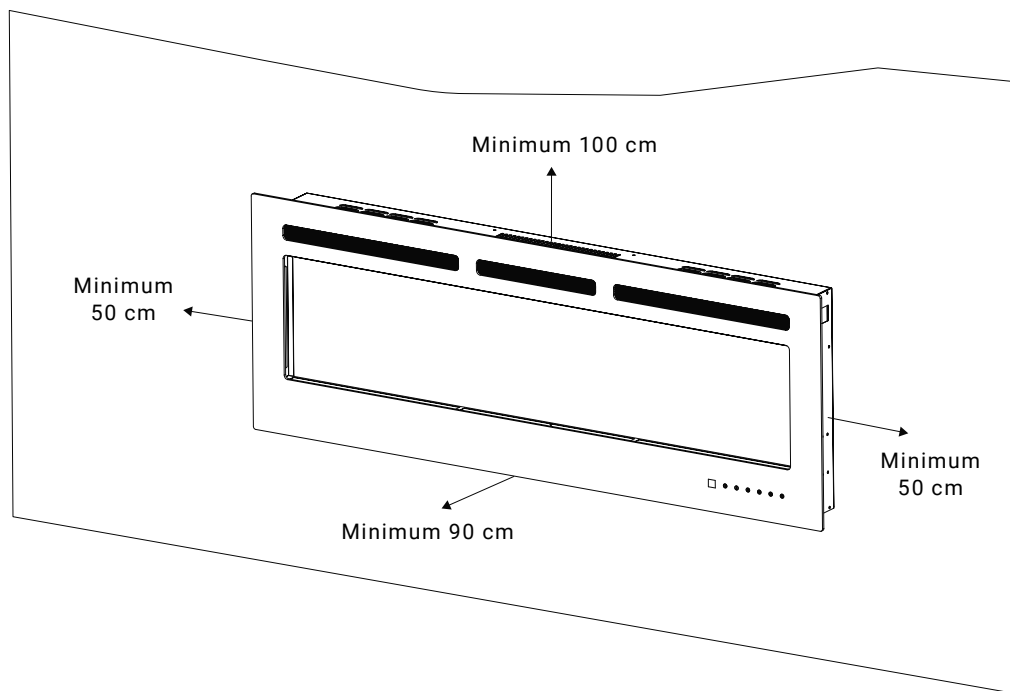
The electric fireplace MARLON can be used as a freestanding fireplace, wall-mounted fireplace, or built-in fireplace. Choose an appropriate location for each type of use that complies with the safety instructions.

MINIMUM DISTANCES

Minimum distance to the left and right: 50 cm

Minimum distance to the up: 100 cm

Minimum distance to the front: 90 cm



1.2 WALL MOUNTING (WALL FIREPLACE)

1. Choose a location that is not susceptible to moisture and complies with the minimum clearances.
2. Place the device with the front side down on a soft, flat surface. Remove the wall mounting bracket from the back of the unit by removing the screws (see Figure 1).
3. Carefully turn the unit over and place it with the front side up. Remove the screws located on both sides of the front glass panel (see Figure 2). Keep the screws for reinstalling the glass panel.
4. Carefully remove the glass panel and place it on a soft, clean surface. Remove the transport protection from inside the device (see Figure 3).

Fig. 1

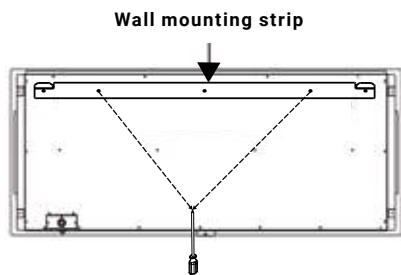


Fig. 2

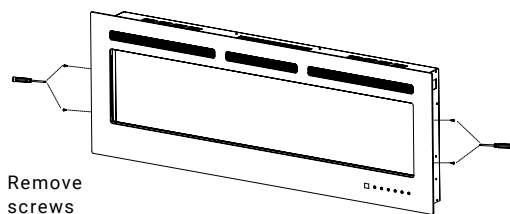
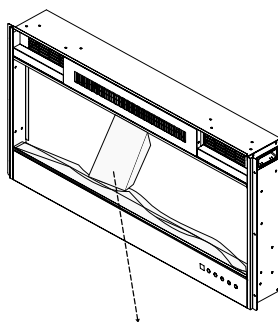
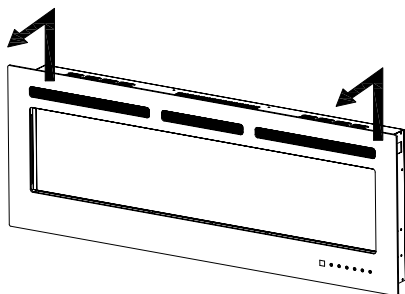


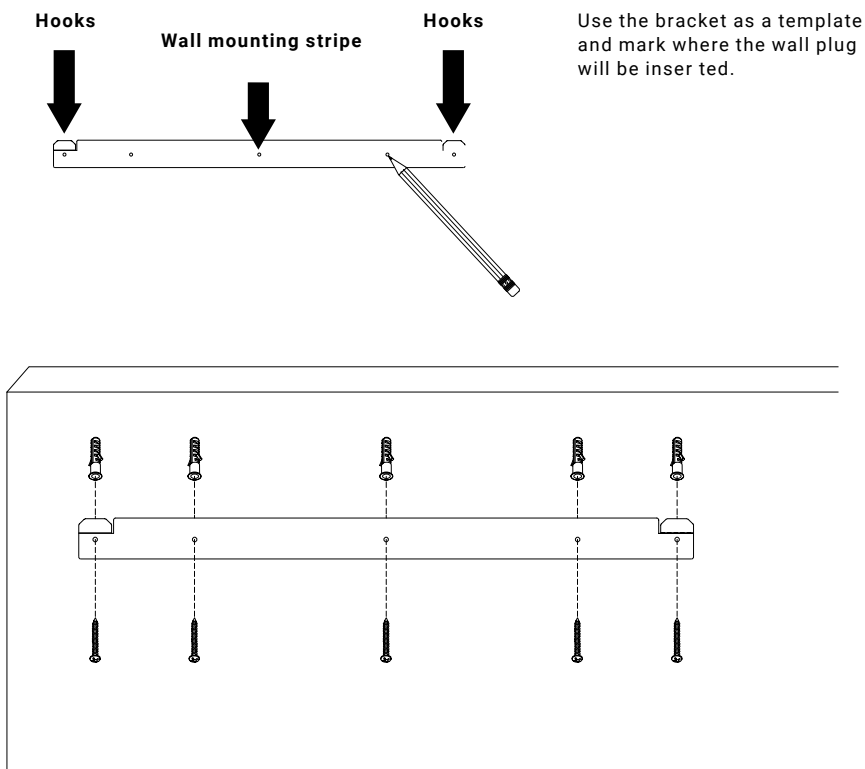
Fig. 3



ATTENTION! Keep the removed screws.

5. Ensure that the mounting bracket is level and the hooks are facing upward. Use the mounting bracket and a pencil to mark the location where the dowels will be inserted into the wall.
6. Install the dowels into the wall. Then, install the bracket to the wall using the supplied screws M4 x 35 mm (see Figure 4). Hang the fireplace on the mounting bracket.

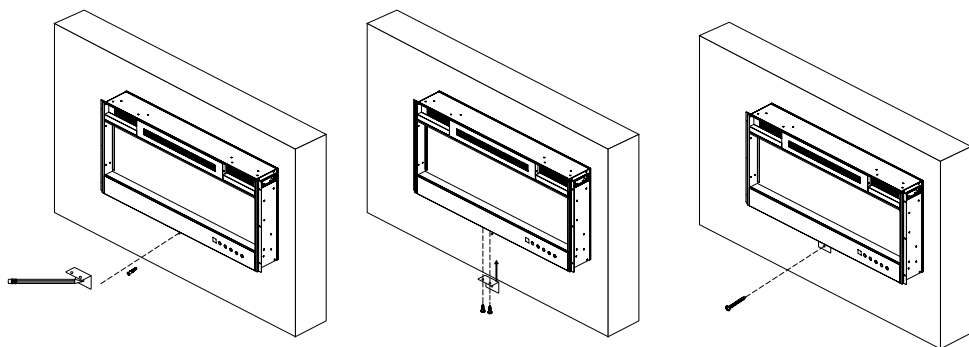
Fig. 4



NOTE! When installing on drywall, it is highly recommended that the mounting strip be screwed into the studs whenever possible. If you cannot use the studs, ensure the supplied wall plugs are used to secure the brackets to the wall and that the bracket is sufficiently secured.

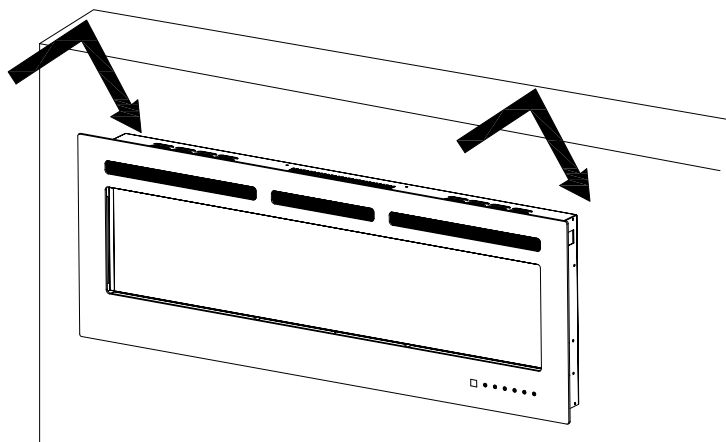
- Align the metal bracket with the location where it will be installed at the bottom of the fireplace. Mark the spot where the bracket touches the wall, and install the dowel. Secure the metal bracket to the bottom of the fireplace using the M4 x 8 mm screw. Use a wall mounting screw to secure the bracket to the wall (see Figure 5).

Fig. 5



- Reinstall the front glass panel using the screws removed during step 3. Ensure that the glass panel is fully secured and stable before proceeding (see Figure 6).

Fig. 6



1.3 RECESS INSTALLATION (WALL MOUNTED FIREPLACE)

1. Choose a location that is not susceptible to moisture and complies with the prescribed minimum clearances. Ensure that the opening is large enough for the recess dimensions (see Figure 7).
2. Place the unit with the front facing up on a soft, flat surface. Remove the screws located on both sides of the front glass panel (see Figure 8). Keep the screws for reinstalling the glass panel.

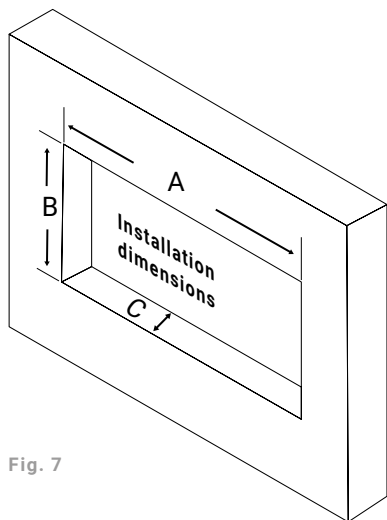


Fig. 7

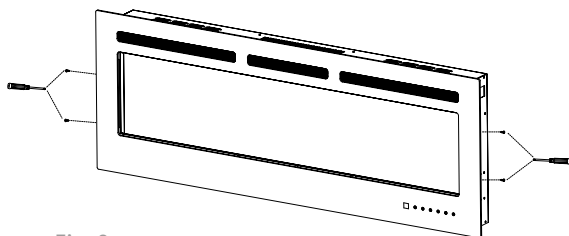


Fig. 8

MODEL	A	B	C
MARLON 36	82.3 cm	44.3 cm	min. 13 cm
MARLON 42	97.5 cm	44.3 cm	min. 13 cm
MARLON 50	117.9 cm	44.3 cm	min. 13 cm
MARLON 55	130.6 cm	44.3 cm	min. 13 cm
MARLON 60	143.3 cm	44.3 cm	min. 13 cm
MARLON 70	168.7 cm	44.3 cm	min. 13 cm

WARNING! It is strongly recommended that a certified professional perform the installation. The manufacturer and seller expressly disclaim any liability for personal injury, property damage, or losses, whether direct or indirect, or incidental, arising from improper installation, misuse, inadequate maintenance, or neglect of this product.

- Carefully lift the glass panel from the fireplace and place it on a soft, clean surface. Remove the transportation packaging from inside the unit (see Figure 9).
- Place the electric fireplace into the opening. Mark the spots where the dowels should be inserted into the wall (see Figure 10).
- Insert the electric fireplace into the installation opening and secure it with the M4 x 35 mm screws in the pre-inserted dowels (see Figure 11).

Fig. 9

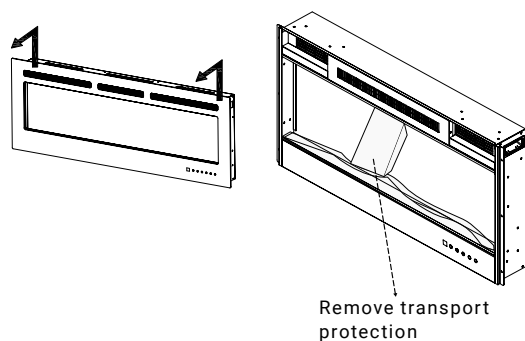


Fig. 10

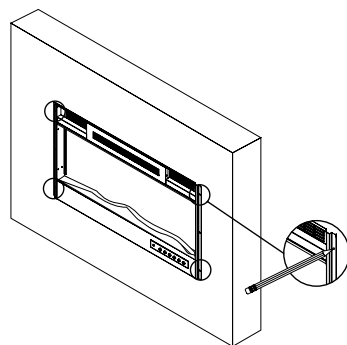
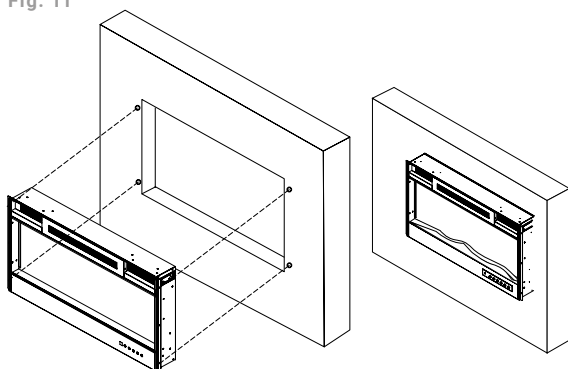
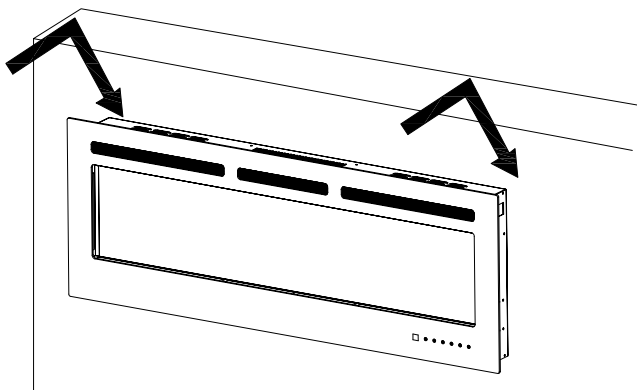


Fig. 11



6. Reattach the front glass panel using the screws removed during step 2. Ensure that the glass panel is fully secured and stable before proceeding (see Figure 12).

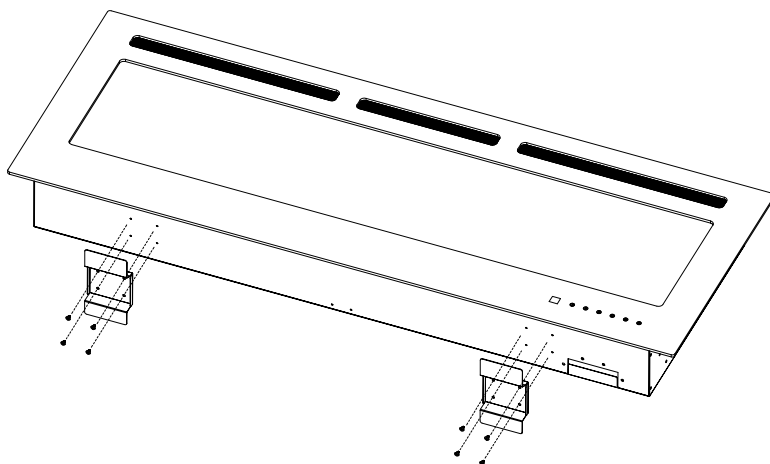
Fig. 12



1.4 USE AS A FREESTANDING FIREPLACE

Attach the stand feet using the M4 x 8 mm stand foot mounting screws. Carefully align the fireplace and place it at the desired location (see Figure 13).

Fig. 13



OPERATING

WARNING! Make sure that the fuse(s) for the power supply are switched on. As soon as the appliance is connected to a properly earthed socket, it is ready for operation; in the event of a power failure, the appliance loses its memory function and is reset to factory mode when it is switched back on.

OPERATING MODES

This electric fireplace can be operated via the CONTROL PANEL located on the top right-hand side of the fireplace or via the battery-operated REMOTE CONTROL. The operation and functions of both methods are the same.

DESCRIPTION

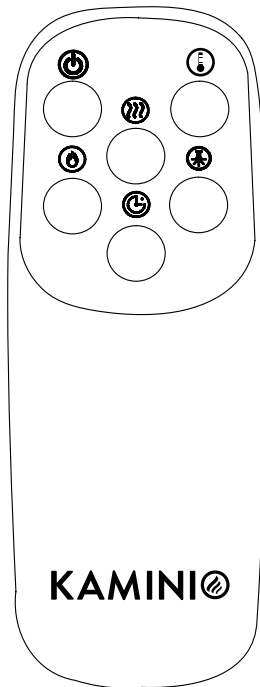
This product is an energy-efficient electric fireplace for heating the room air. It has heating elements that heat the room to the set temperature. The individual functions can be switched on and off directly using the control unit or the remote control supplied.

It has 2 heat settings, an adjustable timer, a realistic 3D flame effect in several colors, open window detection and electrical overheating protection.

REMOTE CONTROL

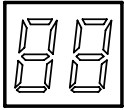
NOTE! To improve operation, point the remote control at the front of the fireplace. Do not press the buttons too quickly. Give the appliance time to respond to each command input.







- Remove the battery cover from the back of the remote control.
- Pay attention to the positive and negative connections and carefully insert two ,AAA' batteries.
- Replace the battery cover.



WARNING! Do not mix old and new batteries; mixing batteries can cause the acid in the batteries to leak and damage the remote control. Never dispose of batteries in a fire. Failure to observe this precaution may result in an explosion. Dispose of batteries in the appropriate facilities.

CONTROL PANEL



SWITCH	FUNCTION	ACTION AND DISPLAY
 POWER	<p>ON: Activates the function of the control panel and the remote control. Turns on the flame effect.</p> <p>OFF: Deactivates the function of the control panel and the remote control. Turns off the flame effect.</p>	<ol style="list-style-type: none"> 1. Press once. The indicator light illuminates. The power supply is turned on. All functions are activated. 2. Press again, power supply and all functions are turned off. The device enters standby mode.
 COLOUR	<p>COLOUR button: Changes the color of the flame effect. 12 color settings: C1, C2, C3, ..., C12.</p>	<ol style="list-style-type: none"> 1. Press once to change the color of the flame effect. 2. Press again until the desired setting is reached.
 FLAME	<p>FLAME button: Adjusts the brightness of the flame effect.</p> <p>NOTE: The flame effect remains on until the power switch is turned off. The flame effect must be on for the heater to operate.</p> <p>5 brightness settings: L1, L2, L3, ..., L5.</p>	<ol style="list-style-type: none"> 1. Press once to change the brightness of the flame color. 2. Press again until the desired setting is reached, L1 is the darkest, L5 is the brightest.
 HEATER	<p>HEATER button: Turns the heater on and off.</p> <p>NOTE: To avoid overheating, the heater will blow cold air for 30 seconds after the heater is turned off.</p> <p>00, LL, HH will be displayed on the screen.</p>	<ol style="list-style-type: none"> 1. Press the button, LL (low heating power) approx. 900 W. 2. Press the button, HH (high heating power) approx. 1800 W. 3. Press the button, 00, heating function is turned off.
 TEMPERATURE	<p>TEMPERATURE button: Adjusts the temperature control. The setting ranges from 16 to 28°C.</p> <p>16, 17, 18, ..., 28 will be displayed on the screen.</p>	<p>Press the button until the desired setting is reached. The LED display shows the selected setting. Once the desired temperature is reached, the heater fan turns off. The heater will automatically turn back on when the room temperature falls below the set temperature.</p>
 TIMER	<p>TIMER button: Controls the timer settings to automatically turn off the fireplace.</p> <p>The settings range from 1 hour to 8 hours. 0H, 1H, 2H..., 8H will be displayed on the screen.</p>	<p>Press the button until the desired setting is reached. The LED display shows the setting. When the time reaches the selected setting, the device will automatically turn off.</p>

NOTE! When the electric fireplace is turned on for the first time, a slight odor may occur. This is normal and should only recur if the electric fireplace has not been used for an extended period.

WARNING! Do not move or remove the glass panel while the device is plugged in and operating, as this may cause the remote control and control panel to malfunction.

OVERHEAT PROTECTION

This electric fireplace is equipped with a temperature limit control. If the electric fireplace reaches an unsafe temperature, it will automatically shut off.

RESETTING

1. Press the standby button to turn off the unit.
2. Unplug the power cord from the outlet.
3. Wait for at least 1 minute before plugging the device back in.
4. Press the standby button to restart the unit.
5. If the device does not turn on, allow it to cool completely and check the fireplace to ensure no ventilation openings are blocked or clogged with dust or lint. If they are, use a vacuum cleaner to clean the ventilation areas.
6. If the issue persists, have your outlet and wiring checked by a professional.

NOTE! The electric fireplace only starts heating to the desired temperature when this is 2 °C higher than the current room temperature.

NOTE! The temperature can be set within a range of 16 - 28 °C.

CLEANING

WARNING! Before performing any maintenance or cleaning on the outside of the fireplace, the device must be disconnected from the power supply and allowed to cool down completely.

METAL:

- Use a soft, lint-free cloth and a mild non-abrasive cleaning agent for cleaning.
- DO NOT USE polish or household cleaners, as these products can damage the metal finish.

GLASS:

- Use a high-quality glass cleaner sprayed onto a cloth or towel. Dry thoroughly with a paper towel or a soft, lint-free cloth.
- NEVER USE abrasive cleansers, liquid sprays, or any cleaner or cloth that could scratch the surface.

VENTILATION SLOTS:

- Use a vacuum cleaner or cloth to remove dust and dirt from the ventilation slots.
- Clean the outside of the fireplace with a slightly damp cloth.

WARNING! ALWAYS turn off the electric fireplace and unplug it from the outlet before cleaning, performing maintenance, or moving it. Failure to do so could result in electric shock, fire, or personal injury. NEVER immerse the fireplace in water or spray it with water. Doing so could result in electric shock, fire, or personal injury.

MAINTENANCE

WARNING! The consumer should not perform any further maintenance. Do not perform maintenance on the device yourself.

ELECTRICAL AND MOVABLE PARTS:

- The fan motors are lubricated at the factory and do not require additional lubrication.
- Electrical components are integrated into the fireplace and cannot be serviced by the consumer.

STORAGE:

- Store the electric fireplace in a clean, dry place when not in use.

VENTILATION SLOTS:

- Use a vacuum cleaner or dust cloth to remove dust and dirt from electric fireplaces and ventilation slots.
- Clean the exterior of the electric fireplace with a slightly damp cloth.
- Keep the ventilation slots clean.
- Regularly check that the ventilation slots are free from debris.
- Follow cleaning instructions in case of dirt.